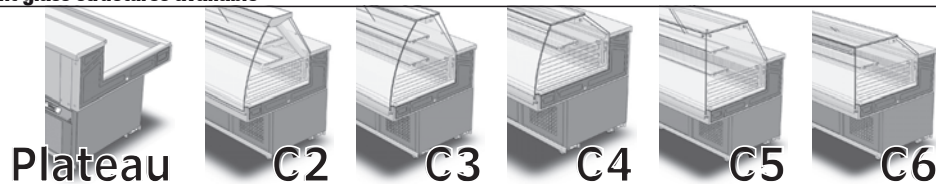
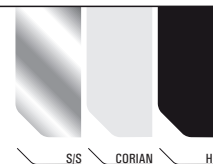




Different glass structures available



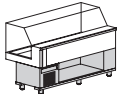
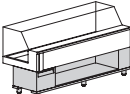
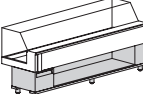

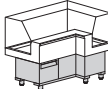



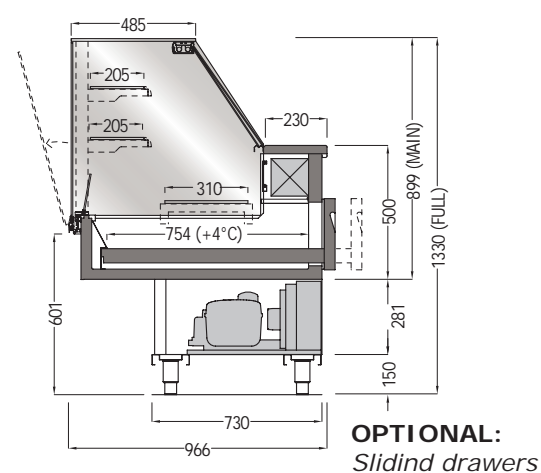
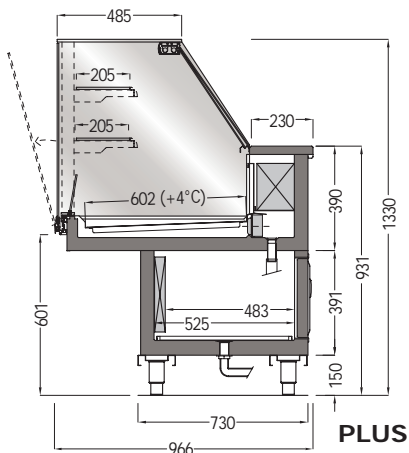
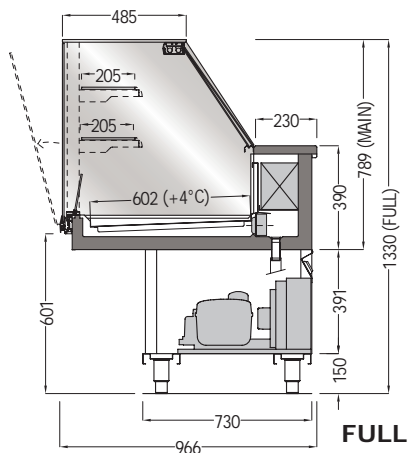
DISPLAY TANK



Serie 900 C5

SECTIONS AND MODELS

TECHNICAL FEATURE		VERSIONS							
		1000	1500	2000	2500	3000	90° SF Corner	90° SQR Dx Corner	90° SQR Sx Corner
									
Dimensions (L-D-H)	mm	1000-966-1330	1000-966-1330	2000-966-1330	2500-966-1330	3000-966-1330	90°-966-1330	90°-966-1330	90°-966-1330
Refrigeration	Type	Fan Ventilated	Fan Ventilated	Fan Ventilated	Fan Ventilated	Fan Ventilated	Fan Ventilated	Fan Ventilated	Fan Ventilated
Operating temp.	°C / °F	+4 / 39.2	+4 / 39.2	+4 / 39.2	+4 / 39.2	+4 / 39.2	+4 / 39.2	+4 / 39.2	+4 / 39.2
Compressor	nr. / Type	1 / hermetic	1 / hermetic	1 / hermetic	1 / hermetic	1 / hermetic	1 / hermetic	1 / hermetic	1 / hermetic
Cooling power	(W)	350	500	680	920	1100	640	600	600
Electric supply	(V/ph/Hz)	230/1/50 (UE) 120/1/60 (USA)	230/1/50 (UE) 120/1/60 (USA)	230/1/50 (UE) 120/1/60 (USA)	230/1/50 (UE) 120/1/60 (USA)	230/1/50 (UE) 120/1/60 (USA)	230/1/50 (UE) 120/1/60 (USA)	230/1/50 (UE) 120/1/60 (USA)	230/1/50 (UE) 120/1/60 (USA)
Power consumption	(W/A)	500/3,0	605/3,5	945/4,5	965/4,5	1250/6,5	720/4,0	640/3,6	640/3,6
Defrost	Mode / type	automatic	automatic	automatic	automatic	automatic	automatic	automatic	automatic
Climatic class	N°/°C(F°)/H.R.	4+/35 (95)/70%	4+/35 (95)/70%	4+/35 (95)/70%	4+/35 (95)/70%	4+/35 (95)/70%	4+/35 (95)/70%	4+/35 (95)/70%	4+/35 (95)/70%
Refrigerant Gas	Type	R452A	R452A	R452A	R452A	R452A	R452A	R452A	R452A



OPTIONAL

- LED light
- Castors
- Remote condensing unit
- Black or white epoxy painting
- Meat & Cheese configuration (increased evaporator & electric defrost)
- S/s kickplate
- Multiplexable

- Front and side cladding

Available also for gelato, dry-hot, bain-marie, static and bread

Serie 900 C5 / Refrigerated Ventilated

* At -13°C of expansion

The company reserves the right to make modifications to the products without prior notice.

CIAM s.p.a. | Viale dei Pini 9 | 06081 | Petignano di Assisi | PG - Italy | Tel: 0039 07580161
web: www.ciamweb.it | mail: info@ciamgroup.it

2017 / v1.0

Serie900



CIAM
REFRIGERATION DESIGN