

YOGURT STATION



FEATURES



PANELS FINISHING



KEY FEATURES

Elegant finiture | Two models: "Serve over" and "Self service" | Refrigerated storage compartment | Built-in compressor with automatic evaporation of condensate water | Easy to clean and long lasting materials | Two colors available: White HPL and Black HPL | LED lighting

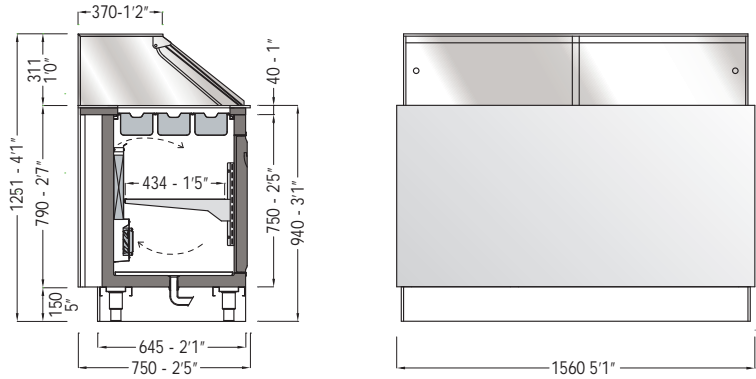
YOGURT

*Yogurt station with a refrigerated topping area and an ambient one over compressor box.
Refrigerated storage compartment underneath. "Serve over" and "Self service" models available.*

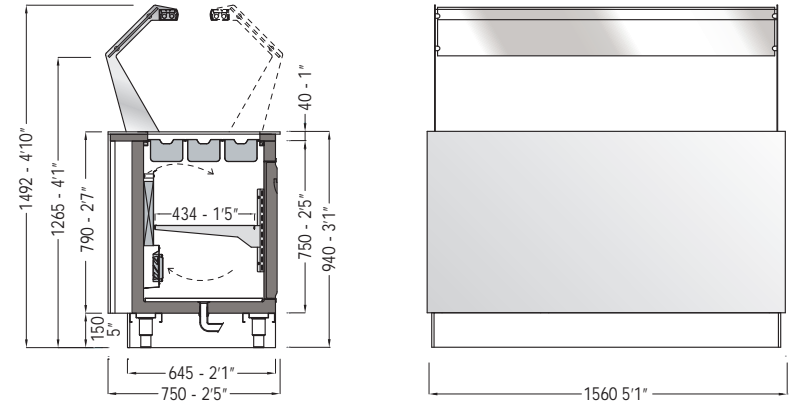
CIAM
REFRIGERATION DESIGN

YOGURT STATION

SECTIONS AND MODELS



YOGURT STATION - SERVE OVER



YOGURT STATION - SELF SERVICE

TECHNICAL FEATURE	SERVE OVER		SELF SERVICE	
	1560		1560	
External dimensions (L-D-H)	inches	61¾ - 29½ - 49¼	61¾ - 29½ - 58¾	61¾ - 29½ - 58¾
	mm	1560 - 750 - 1251	1560 - 750 - 1492	1560 - 750 - 1492
Crated dimensions (L-D-H)	inches	69¼ - 37¾ - 59	69¼ - 37¾ - 68½	69¼ - 37¾ - 68½
	mm	1760 - 950 - 1500	1760 - 950 - 1740	1760 - 950 - 1740
Refrigeration	Type	Fan Ventilated	Fan Ventilated	Fan Ventilated
Refrigerated display area	Type	Deck	Deck	Deck
Operating temperature	°C / °F	+4 / 39.2	+4 / 39.2	+4 / 39.2
Compressor	nr. / Type	1 / hermetic	1 / hermetic	1 / hermetic
Cooling power *	(W)	350	350	350
Electric supply	(V/ph/Hz)	230/1/50 (UE) 120/1/60 (USA)	230/1/50 (UE) 120/1/60 (USA)	230/1/50 (UE) 120/1/60 (USA)
Power consumption	(W/A)	450/3,0 @220v 600/6,0 @120v	450/3,0 @220v 600/6,0 @120v	450/3,0 @220v 600/6,0 @120v
Defrost	Mode / type	automatic	automatic	automatic
Climatic class	N°/°C(F°)/H.R.	4/30 (85)/55%	4/30 (85)/55%	4/30 (85)/55%
Refrigerant Gas	Type	R452A	R452A	R452A
Net weight	Kg / Lb	170	170	170
Crated weight	Kg / Lb	190	190	190



STANDARD FEATURE

- Ventilated refrigeration
- Electronic temperature control
- LED Lighting system

OPTIONAL

- Castors
- Remote condensing unit
- Heating system for dry area
- Gastronorm pans and lids

* At -12°C of expansion

The company reserves the right to make modifications to the products without prior notice.

CIAM s.p.a. | Viale dei Pini 9 | 06081 | Petignano di Assisi | PG - Italy | Tel: 0039 07580161
web: www.ciamweb.it | mail: info@ciamgroup.it

2017 / v1.0

