



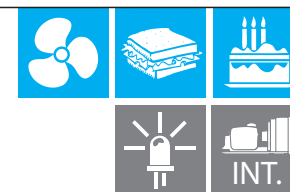
## KEY FEATURES

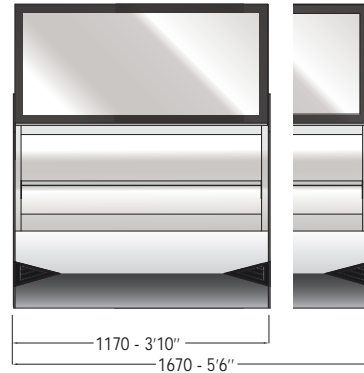
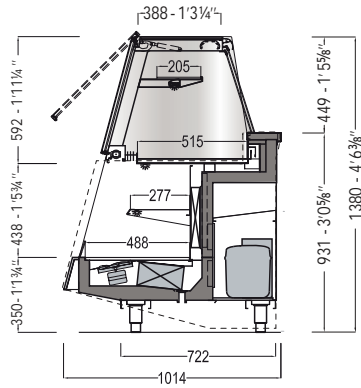
- **Visibility:** extraordinary enhancement of displayed products
- **Practicality:** pistons assisted front glass opening system
- **Customizable:** great possibility to customize front side panels
- **Double glazing:** front, top and side double glazing insulated glasses
- **Energy Saving:** double LED lighting as standard
- **Multiplexing:** combine easily Mya, Mya Narrow, Mya Combi, Mya Plus together on a continuous solution

## COLORS

SILVER	PANNA	CHOCHO	AZZURRO
SILVER	RAL 9010	RAL 8014	PANTONE 285
LIMONE	LIME	AMARENA	PESCA
PANTONE 394	PANTONE 383	PANTONE 233	PANTONE 165

## FEATURES





### MYA COMBI

TECHNICAL FEATURE		VERSIONS	
		1150	1650
External dimensions (L-D-H)	inches mm	46 1/8" - 48 3/4" - 54 1/3" 1170 - 1237 - 1380	65 3/4" - 48 3/4" - 54 1/3" 1670 - 1237 - 1380
Crated dimensions (L-D-H)	inches mm	54 1/2" - 58 1/4" - 63 3/4" 1380-1480-1620	74" - 58 1/4" - 63 3/4" 1880-1480-1620
Refrigeration	Type	Fan Ventilated	Fan Ventilated
Refrigerated display area	Type	Deck / Shelves	Deck / Shelves
Operating temperature	°C / °F	+6 / 43.0	+6 / 43.0
Compressor	nr. / Type	1 / hermetic	1 / hermetic
Cooling power *	(W)	1050	1500
Electric supply	(V/ph/Hz)	230/1/50 (UE) 220/1/60 (USA)	230/1/50 (UE) 220/1/60 (USA)
Power consumption	(W/A)	1000/5,8	1200/8,5
Defrost	Mode / type	electric	electric
Climatic class	N°/°C(F°)/H.R.	3+/25 (77)/60%	3+/25 (77)/60%
Refrigerant Gas	Type	R452A	R452A
Net weight	Kg / Lb	266 / 586	350 / 771
Crated weight	Kg / Lb	391 / 862	525 / 1157

\* At -12°C of expansion

The company reserves the right to make modifications to the products without prior notice.

CIAM s.p.a. | Viale dei Pini 9 | 06081 | Petignano di Assisi | PG - Italy | Tel: 0039 07580161  
web: [www.ciamweb.it](http://www.ciamweb.it) | mail: [info@ciamgroup.it](mailto:info@ciamgroup.it)

2017 / v1.0