



COLORS



FINISHING



FEATURES

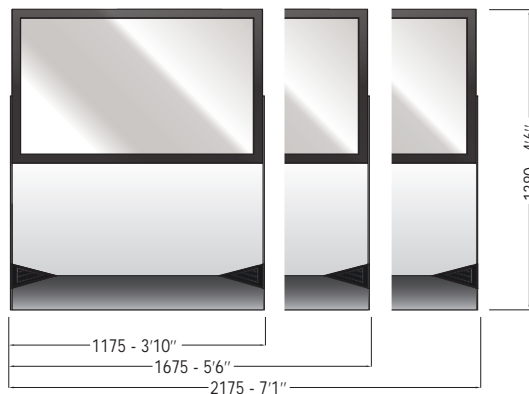
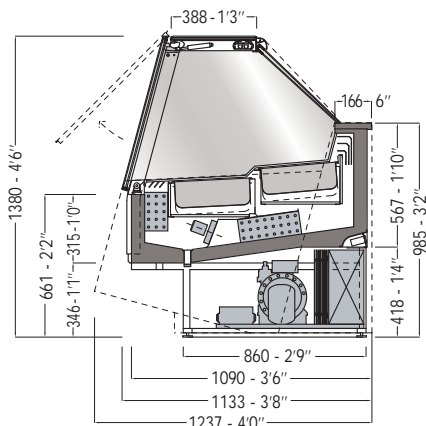


KEY FEATURES

- **Performances:** double air flow refrigeration system
- **Visibility:** extraordinary enhancement of displayed products
- **Practicality:** pistons assisted front glass opening system
- **Customizable:** great possibility to customize front side panels
- **Temperature controlled:** -18°C / +4°C (-0 4°F / +41°F)
- **Energy Saving:** double LED lighting as standard

MYA GELATO

SECTIONS AND MODELS



MYA 2 - GELATO

TECHNICAL FEATURE		VERSIONS			
		1150	1650	2150	2150 Double Temp.
External dimensions (L-D-H)	inches mm	46 1/4" - 48 3/4" - 54 1/2" 1175 - 1237 - 1380	65 1/2" - 48 3/4" - 54 1/2" 1675 - 1237 - 1380	85 2/3" - 48 3/4" - 54 1/2" 2175 - 1237 - 1380	85 2/3" - 48 3/4" - 54 1/2" 2175 - 1237 - 1380
Crated dimensions (L-D-H)	inches mm	54 1/3" - 58 1/4" - 63 3/4" 1380-1480-1620	74" - 58 1/4" - 63 3/4" 1880-1480-1620	93 3/4" - 58 1/4" - 63 3/4" 2380-1480-1620	93 3/4" - 58 1/4" - 63 3/4" 2380-1480-1620
Pans layout - 5,2 Lt mm.360x165x120h 14 1/8" - 6 1/2" - 4 3/4"	flavors nr. / configuration	12	18	24	24 (12+12)
Pans layout - 5,2 Lt mm.360x250x80h 14 1/8" - 10" - 3 1/8"	flavors nr. / configuration	8	12	16	16 (8+8)
Refrigeration	Type	Fan Ventilated	Fan Ventilated	Fan Ventilated	Fan Ventilated
Refrigerated display area	Type	Deck	Deck	Deck	Deck
Operating temperature	°C / °F	-18 / -0.4	-18 / -0.4	-18 / -0.4	-18 / -0.4
Compressor	nr. / Type	1 / semihermetic	1 / semihermetic	1 / semihermetic	2 / semihermetic
Cooling power *	(W)	800	1180	1490	830+830
Electric supply	(V/ph/Hz)	400/3/50 +N (UE) 230-208/3/60 (USA)	400/3/50 +N (UE) 230-208/3/60 (USA)	400/3/50 +N (UE) 230-208/3/60 (USA)	400/3/50 +N (UE) 230-208/3/60 (USA)
Power consumption	(W/A)	1860/4,3	2850/7,0	3400/7,8	3660/7,6
Defrost	Mode / type	reverse cycle	reverse cycle	reverse cycle	reverse cycle
Climatic class	N°/°C(F°)/H.R.	4+ /35 (95)/70%	4+ /35 (95)/70%	4+ /35 (95)/70%	4+ /35 (95)/70%
Refrigerant Gas	Type	R452A	R452A	R452A	R452A
Net weight	Kg / Lb	290 / 639	360 / 793	460 / 1014	460 / 1014
Crated weight	Kg / Lb	415 / 914	535 / 1179	680 / 1499	680 / 1499

* At -36°C of expansion

The company reserves the right to make modifications to the products without prior notice.

CIAM s.p.a. | Viale dei Pini 9 | 06081 | Petignano di Assisi | PG - Italy | Tel: 0039 07580161
web: www.ciamweb.it | mail: info@ciamgroup.it

2017 / v1.0



STANDARD FEATURE

- Double LED lighting system
- Front, top and side double glasses
- Double air flow refrig. system
- Reverse cycle defrost system
- Semihermetic compressor

OPTIONAL

- S/s display trays for cakes
- Dual temperature switch (-18°C / +5°C) (-0.4F / +41°F)
- S/s pans dim. mm360x165x120h
- S/s pans dim. mm360x250x80h
- Night curtain self rolling
- Remote condensing unit
- Dipper well
- Cone holder
- Wheels kit



CIAM
REFRIGERATION DESIGN